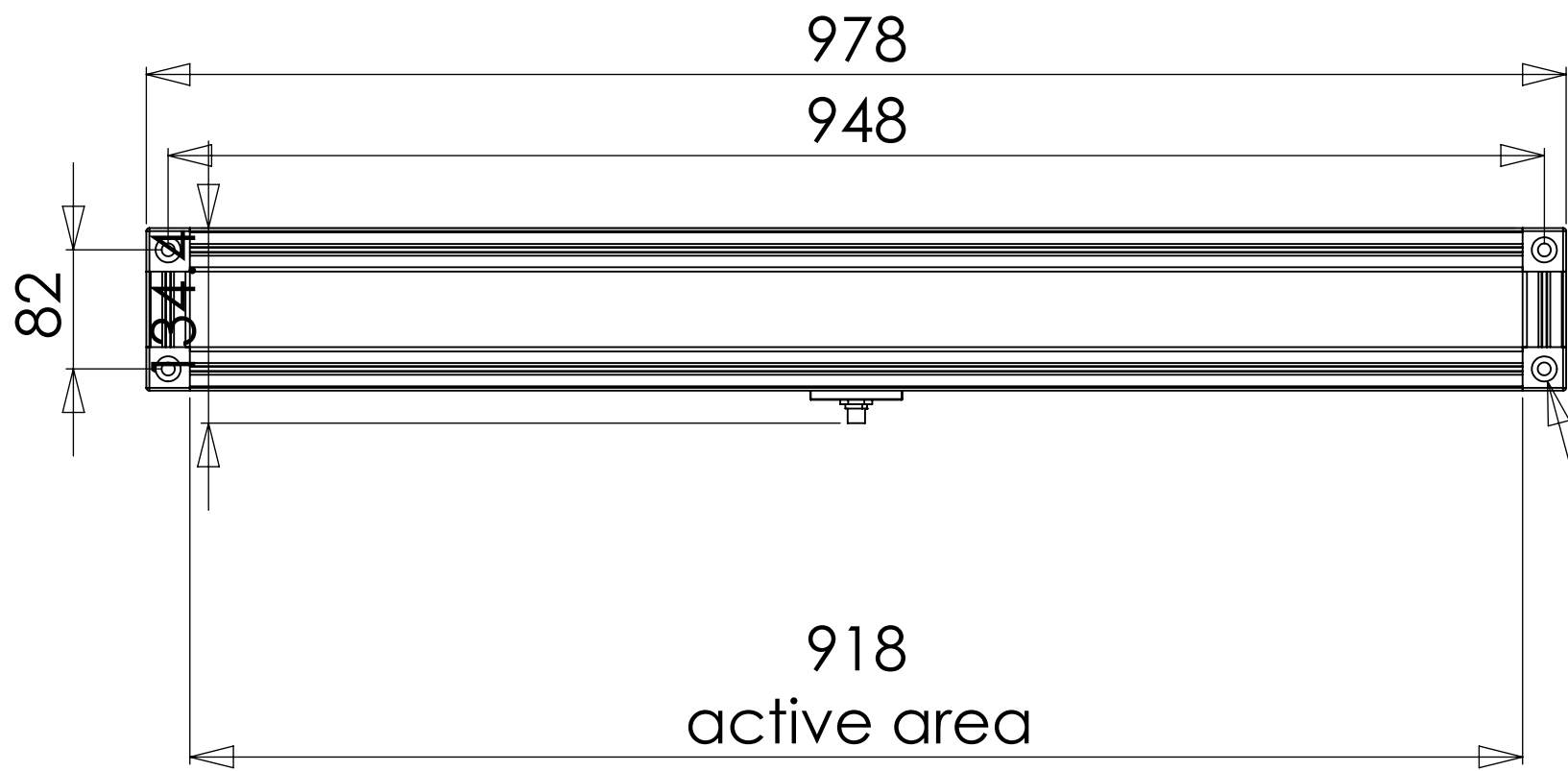
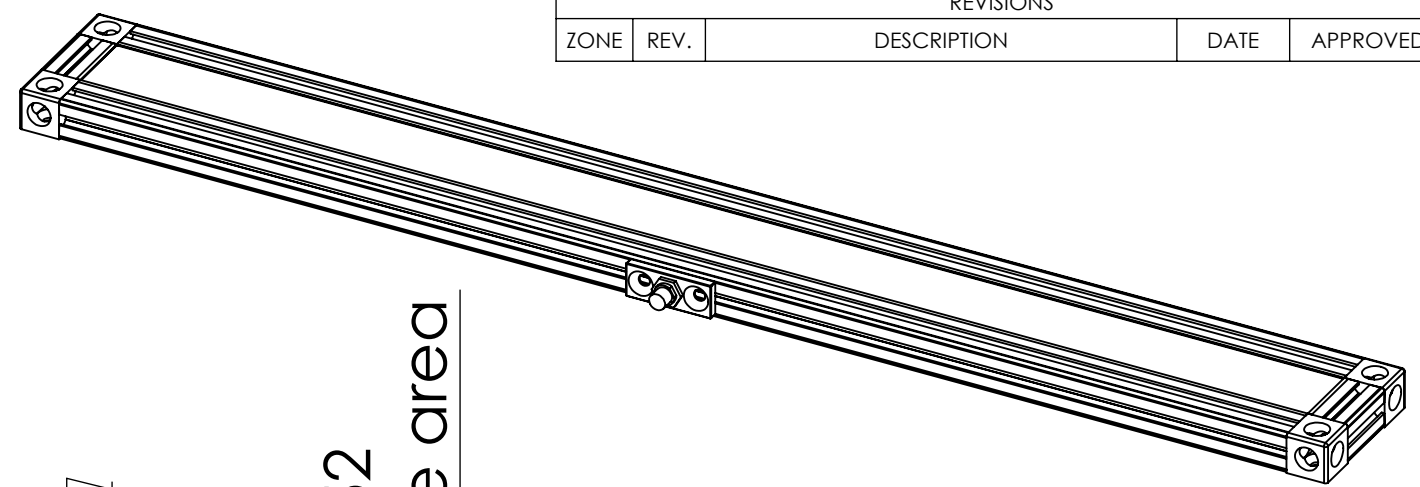
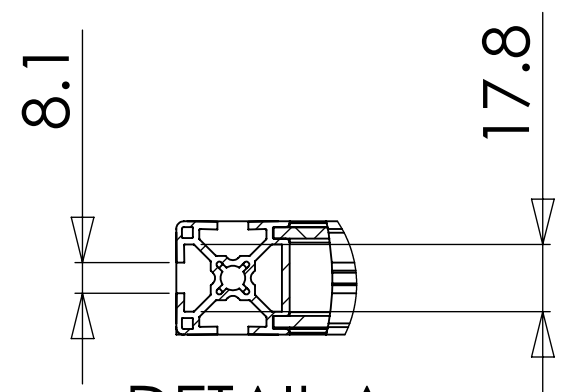


REVISIONS

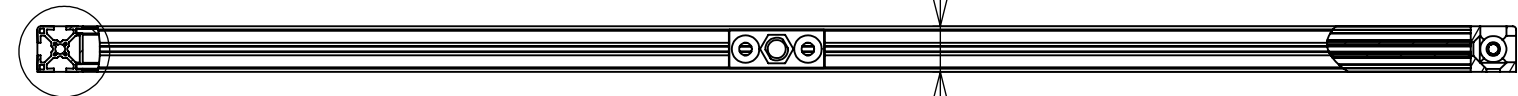
| ZONE | REV. | DESCRIPTION | DATE | APPROVED |
|------|------|-------------|------|----------|
| | | | | |



typ. \varnothing 9 THRU ALL
 \square \varnothing 17.30 ∇ 24



DETAIL A
SCALE 1 : 2



A

PROPRIETARY AND CONFIDENTIAL
 THE INFORMATION CONTAINED IN THIS DRAWING IS THE SOLE PROPERTY OF SmartVisionLights. ANY REPRODUCTION IN PART OR AS A WHOLE WITHOUT THE WRITTEN PERMISSION OF SmartVisionLights IS PROHIBITED.

| | | | | |
|--|--------------|-----------|-----------|-------------|
| UNLESS OTHERWISE SPECIFIED: | | DATE | NAME | SOBL-900x50 |
| DIMENSIONS ARE IN MM | | DRAWN BY | 1/23/2012 | |
| TOLERANCES: | | CHECKED | | |
| FRACTIONAL \pm 1-64 | | ENG APPR. | | |
| ANGULAR: MACH \pm .25° BEND \pm 3° | | MFG APPR. | | |
| TWO PLACE DECIMAL \pm .10 mm | | Q.A. | | |
| THREE PLACE DECIMAL \pm .01 mm | | COMMENTS: | | |
| INTERPRET GEOMETRIC TOLERANCING PER: | | | | |
| MATERIAL | | | | |
| FINISH | | | | |
| NEXT ASSY | USED ON | | | |
| APPLICATION | | | | |
| SIZE | DWG. Name | REV | | |
| B | SOBL-900x50 | | | |
| SCALE: 1:5 | SHEET 1 OF 1 | | | |