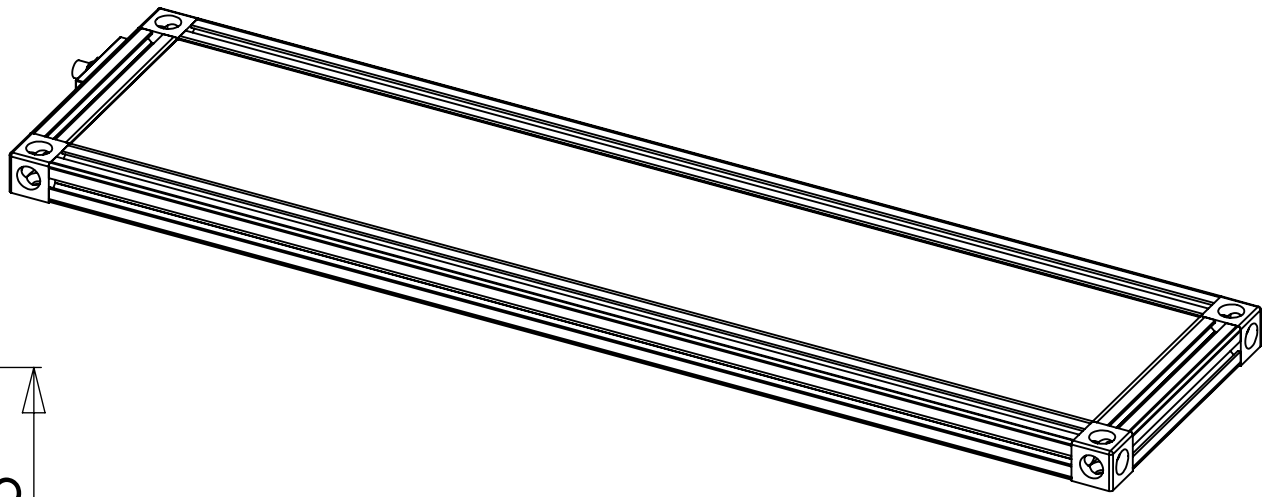
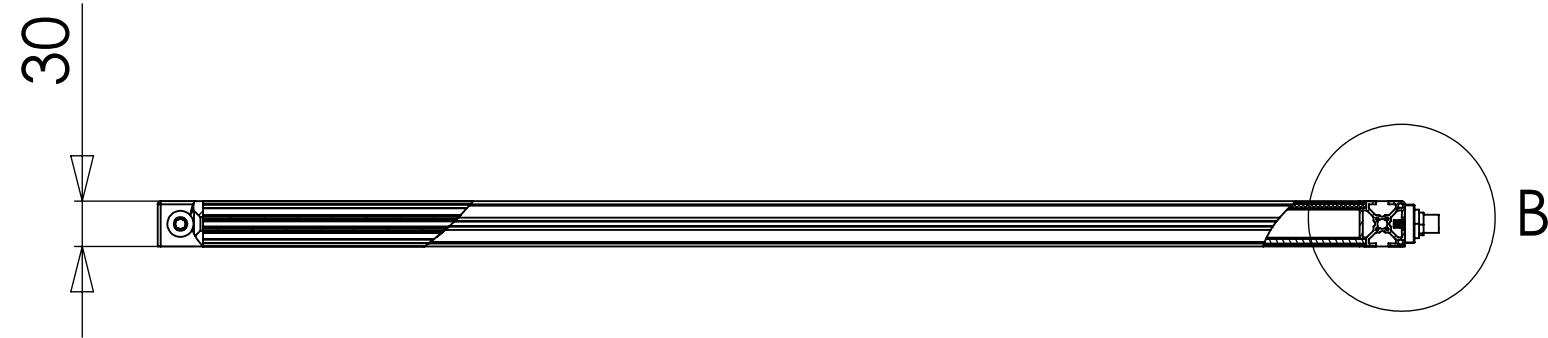
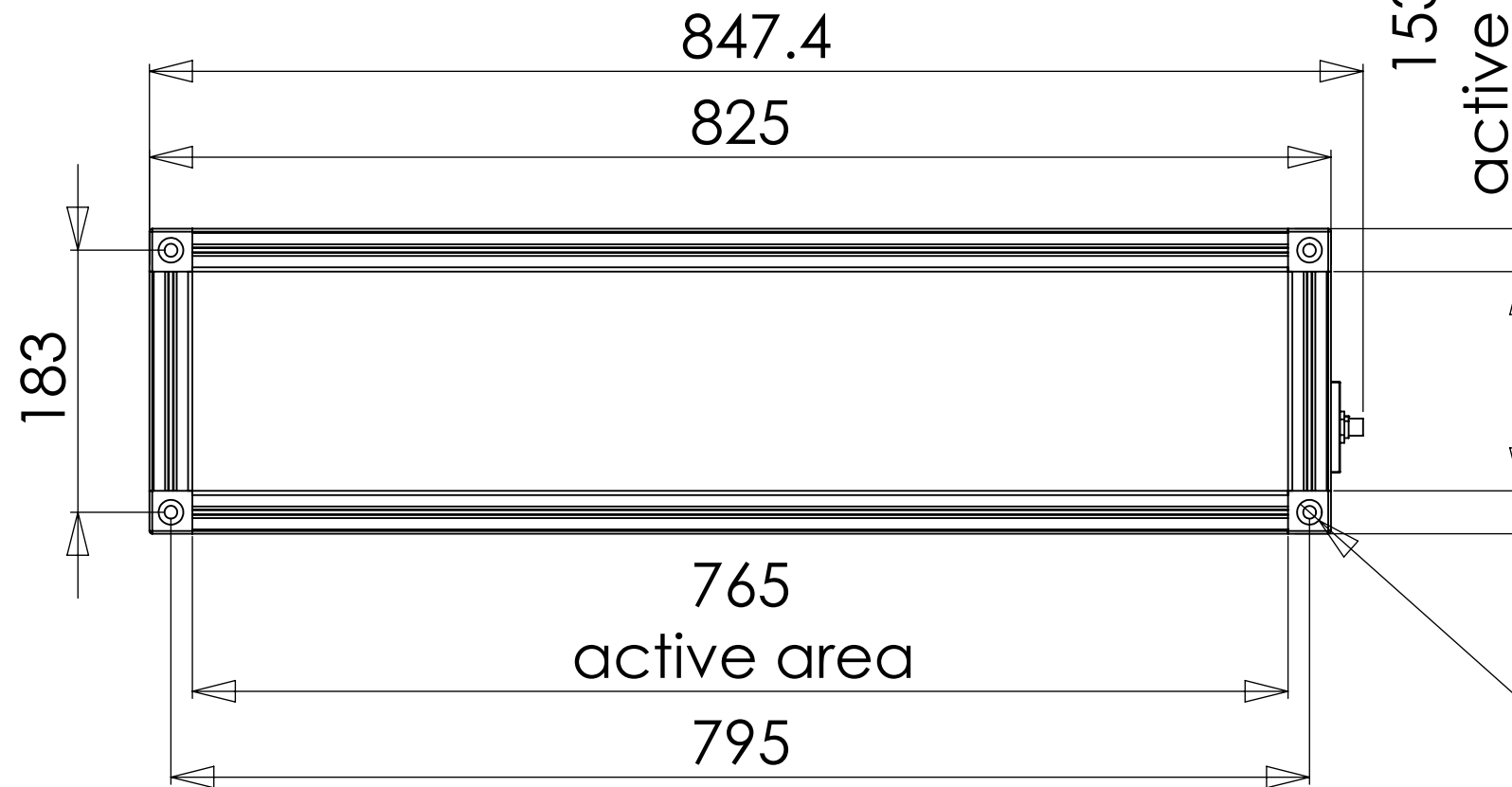
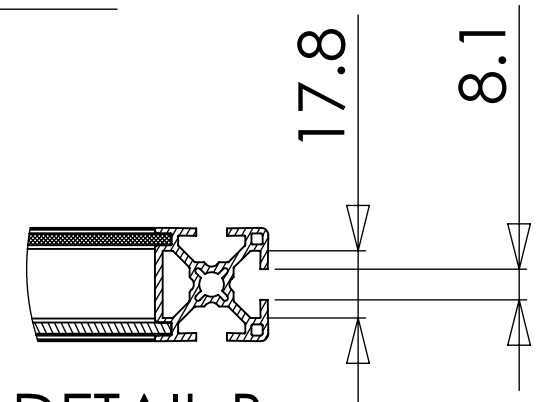


| REVISIONS | | | | |
|-----------|------|-------------|------|----------|
| ZONE | REV. | DESCRIPTION | DATE | APPROVED |
| | | | | |



typ. \varnothing 9 THRU ALL
 \varnothing 17.3 ∇ 24



DETAIL B
 SCALE 1 : 2

PROPRIETARY AND CONFIDENTIAL
 THE INFORMATION CONTAINED IN THIS DRAWING IS THE SOLE PROPERTY OF SmartVisionLights. ANY REPRODUCTION IN PART OR AS A WHOLE WITHOUT THE WRITTEN PERMISSION OF SmartVisionLights IS PROHIBITED.

| | | | | |
|--|---------|-----------|------|----------------------------|
| UNLESS OTHERWISE SPECIFIED: | | DATE | NAME | SOBL-750X150 |
| DIMENSIONS ARE IN MM | | 1/18/2011 | | |
| TOLERANCES: | | DRAWN BY | | SmartVisionLights.Com |
| FRACTIONAL \pm 1-64 | | CHECKED | | |
| ANGULAR: MACH \pm .25° BEND \pm 3° | | ENG APPR. | | |
| TWO PLACE DECIMAL \pm .10 mm | | MFG APPR. | | matt@smartvisionlights.com |
| THREE PLACE DECIMAL \pm .01 mm | | Q.A. | | |
| INTERPRET GEOMETRIC TOLERANCING PER: | | COMMENTS: | | SIZE B |
| MATERIAL | | | | DWG. Name |
| FINISH | | | | SOBL-750X150 |
| NEXT ASSY | USED ON | | | REV |
| APPLICATION | | | | SCALE: 1:5 |
| | | | | SHEET 1 OF 1 |