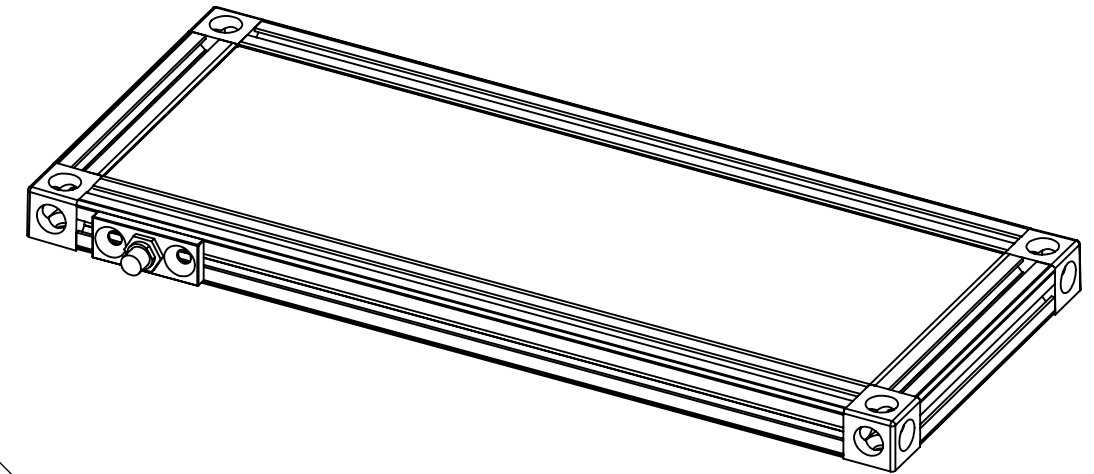
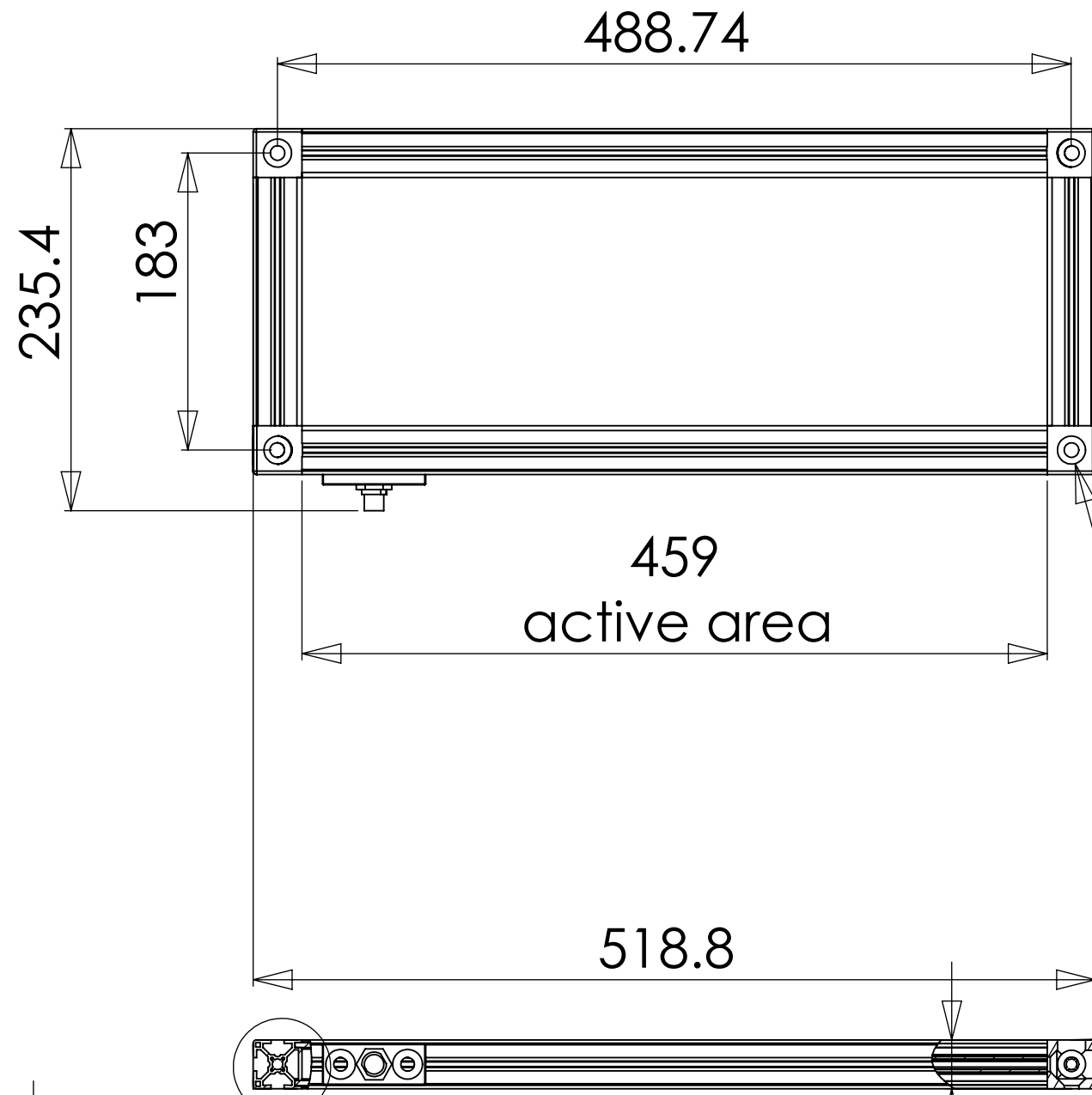


REVISIONS				
ZONE	REV.	DESCRIPTION	DATE	APPROVED

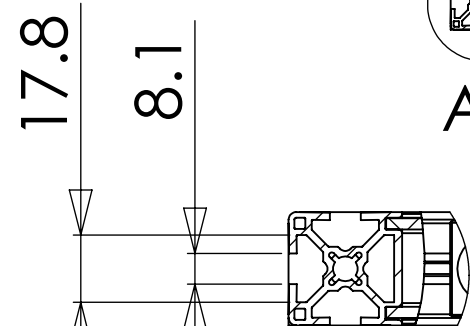
D  
C  
B  
A

D  
C  
B  
A



153  
active area

typ.  $\varnothing$  9 THRU ALL  
 $\square$   $\varnothing$  17.30  $\nabla$  24



DETAIL A  
SCALE 1 : 2

**PROPRIETARY AND CONFIDENTIAL**  
 THE INFORMATION CONTAINED IN THIS DRAWING IS THE SOLE PROPERTY OF SmartVisionLights. ANY REPRODUCTION IN PART OR AS A WHOLE WITHOUT THE WRITTEN PERMISSION OF SmartVisionLights IS PROHIBITED.

UNLESS OTHERWISE SPECIFIED:		DATE	NAME	SOBL-450x150
DIMENSIONS ARE IN MM		DRAWN BY	6/17/2010	SmartVisionLights.Com
TOLERANCES:		CHECKED		matt@smartvisionlights.com
FRACTIONAL $\pm$ 1-64		ENG APPR.		
ANGULAR: MACH $\pm$ .25° BEND $\pm$ 3°		MFG APPR.		
TWO PLACE DECIMAL $\pm$ .10 mm		Q.A.		
THREE PLACE DECIMAL $\pm$ .01 mm		COMMENTS:		
INTERPRET GEOMETRIC TOLERANCING PER:				
MATERIAL				
FINISH				
NEXT ASSY	USED ON			
APPLICATION				
SIZE	DWG. Name	REV		
<b>B</b>	SOBL-450x150			
SCALE: 1:4			SHEET 1 OF 1	