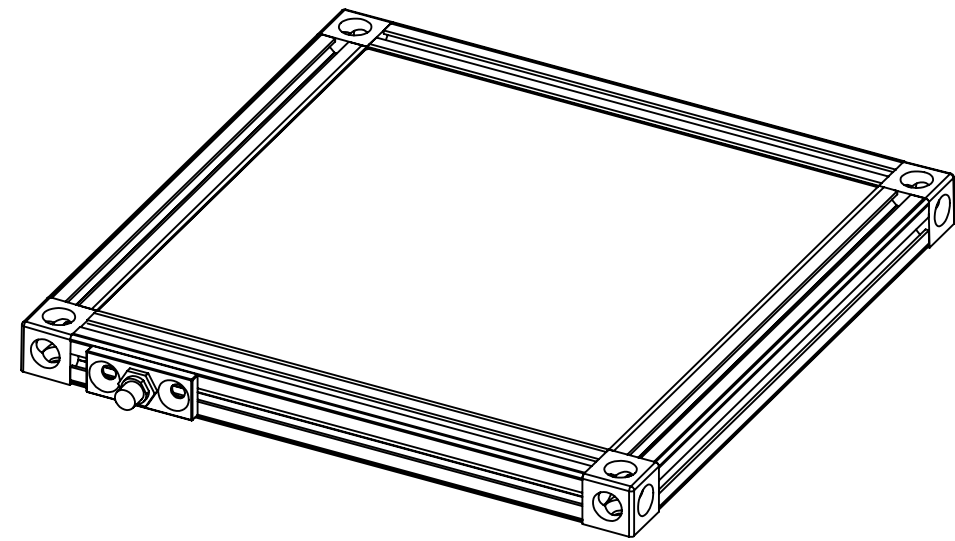
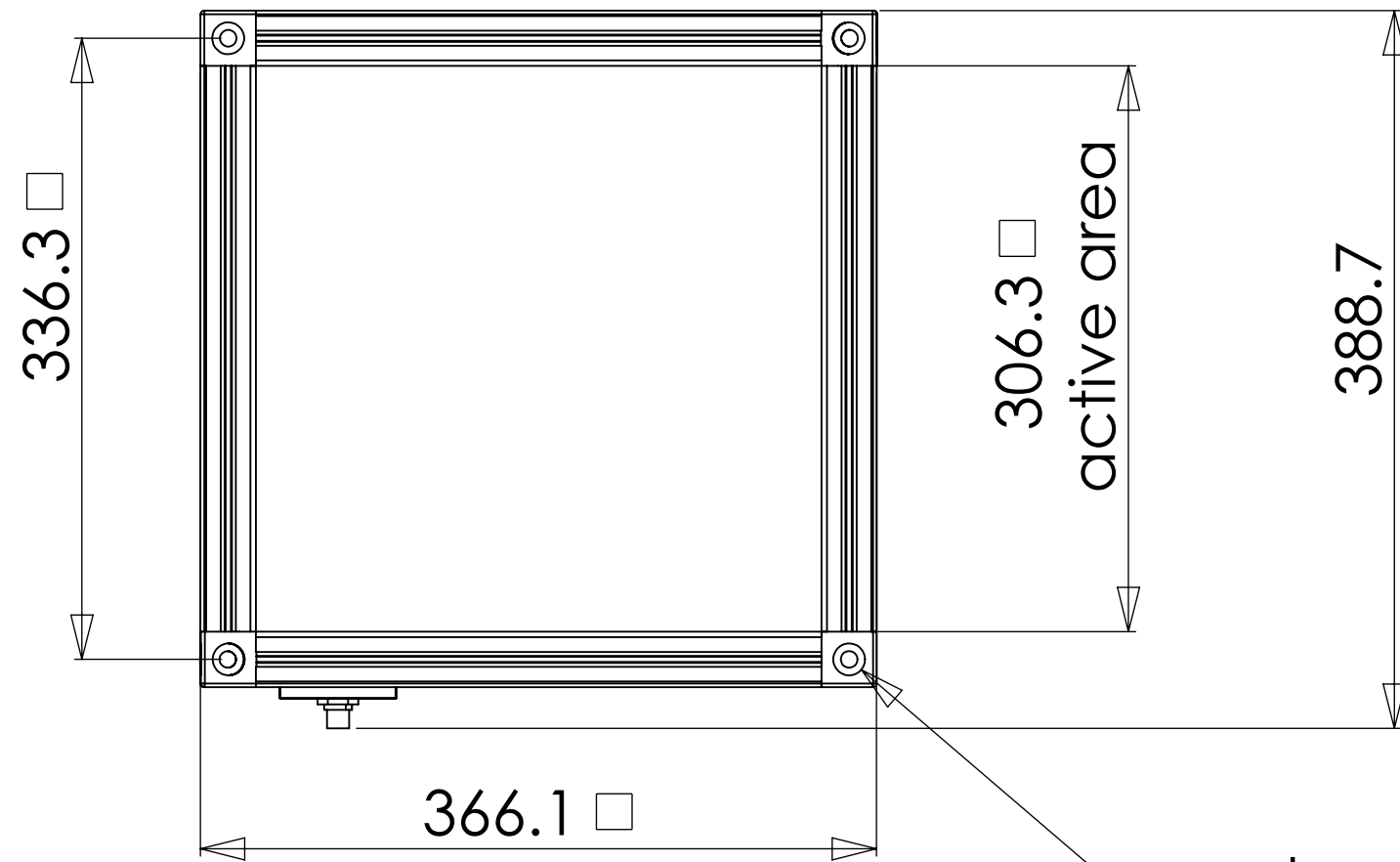
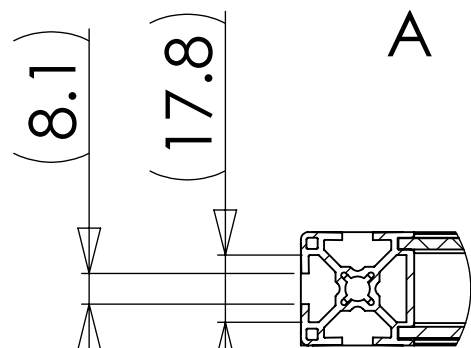
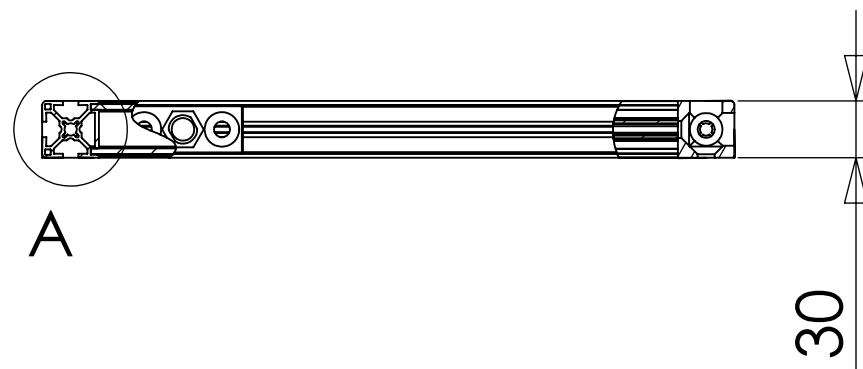


REVISIONS

ZONE	REV.	DESCRIPTION	DATE	APPROVED



typ.  $\varnothing$  9 THRU ALL  
 $\square$   $\varnothing$  17.30  $\nabla$  24



DETAIL A  
SCALE 1 : 2

**PROPRIETARY AND CONFIDENTIAL**  
 THE INFORMATION CONTAINED IN THIS DRAWING IS THE SOLE PROPERTY OF SmartVisionLights. ANY REPRODUCTION IN PART OR AS A WHOLE WITHOUT THE WRITTEN PERMISSION OF SmartVisionLights IS PROHIBITED.

		UNLESS OTHERWISE SPECIFIED:	DATE	NAME	SOBL-300x300
		DIMENSIONS ARE IN MM	DRAWN BY	10/7/2009	
		TOLERANCES:	CHECKED		SmartVisionLights.Com
		FRACTIONAL $\pm$ 1-64	ENG APPR.		matt@smartvisionlights.com
		ANGULAR: MACH $\pm$ .25° BEND $\pm$ 3°	MFG APPR.		
		TWO PLACE DECIMAL $\pm$ .10 mm	Q.A.		
		THREE PLACE DECIMAL $\pm$ .01 mm	COMMENTS:		
		INTERPRET GEOMETRIC TOLERANCING PER:			
		MATERIAL			
NEXT ASSY	USED ON	FINISH			SIZE <b>B</b> DWG. Name SOBL-300x300 REV
APPLICATION					SCALE: 1:4 SHEET 1 OF 1