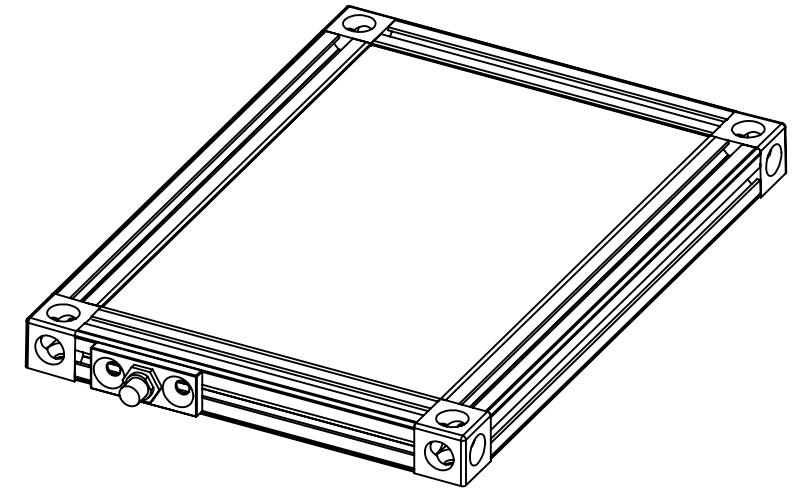
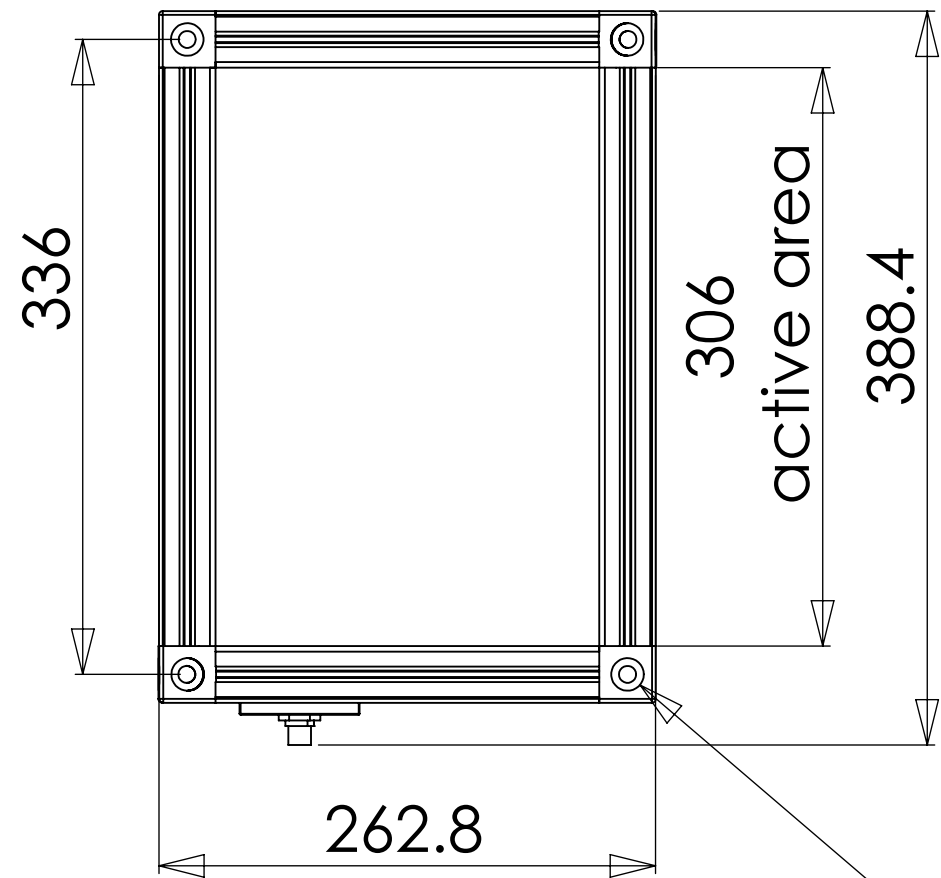
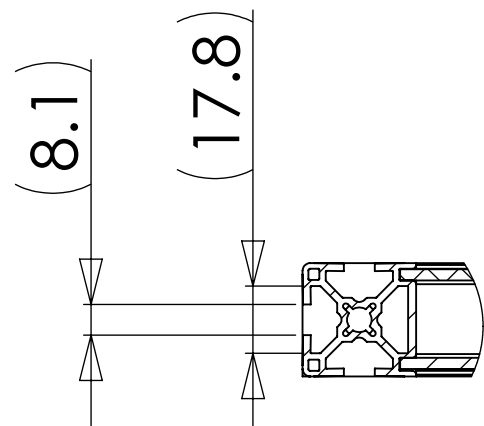
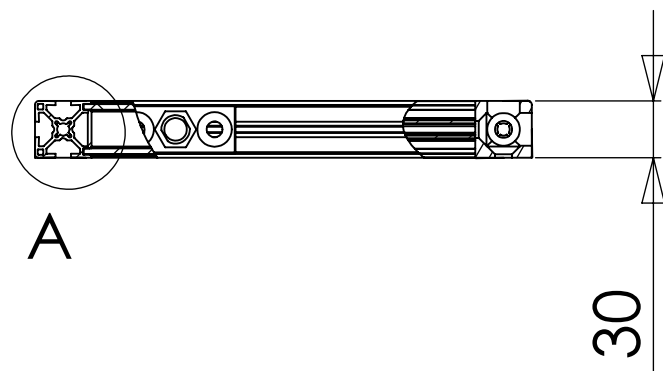


REVISIONS

ZONE	REV.	DESCRIPTION	DATE	APPROVED



typ. \varnothing 9 THRU ALL
 \square \varnothing 17.30 ∇ 24



DETAIL A
SCALE 1 : 2

PROPRIETARY AND CONFIDENTIAL
 THE INFORMATION CONTAINED IN THIS DRAWING IS THE SOLE PROPERTY OF SmartVisionLights. ANY REPRODUCTION IN PART OR AS A WHOLE WITHOUT THE WRITTEN PERMISSION OF SmartVisionLights IS PROHIBITED.

		UNLESS OTHERWISE SPECIFIED:	DATE	NAME	SOBL-200x300
		DIMENSIONS ARE IN MM	DRAWN BY	4/27/2010	
		TOLERANCES:	CHECKED		SmartVisionLights.Com
		FRACTIONAL \pm 1-64	ENG APPR.		matt@smartvisionlights.com
		ANGULAR: MACH \pm .25° BEND \pm 3°	MFG APPR.		
		TWO PLACE DECIMAL \pm .10 mm	Q.A.		
		THREE PLACE DECIMAL \pm .01 mm	COMMENTS:		
		INTERPRET GEOMETRIC TOLERANCING PER:			
		MATERIAL			
NEXT ASSY	USED ON	FINISH			SIZE B DWG. Name SOBL-200x300 REV
APPLICATION					SCALE: 1:4 SHEET 1 OF 1