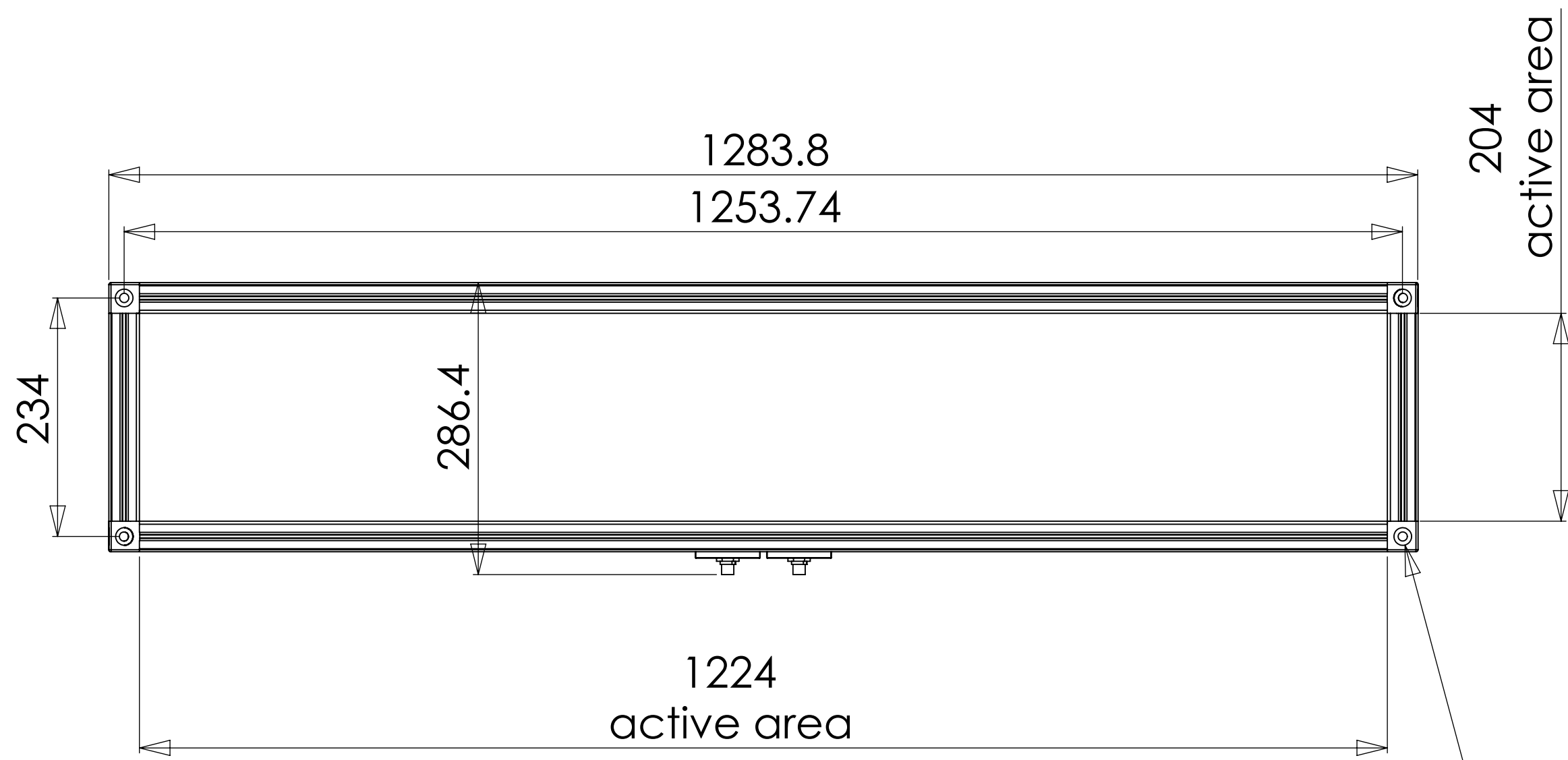
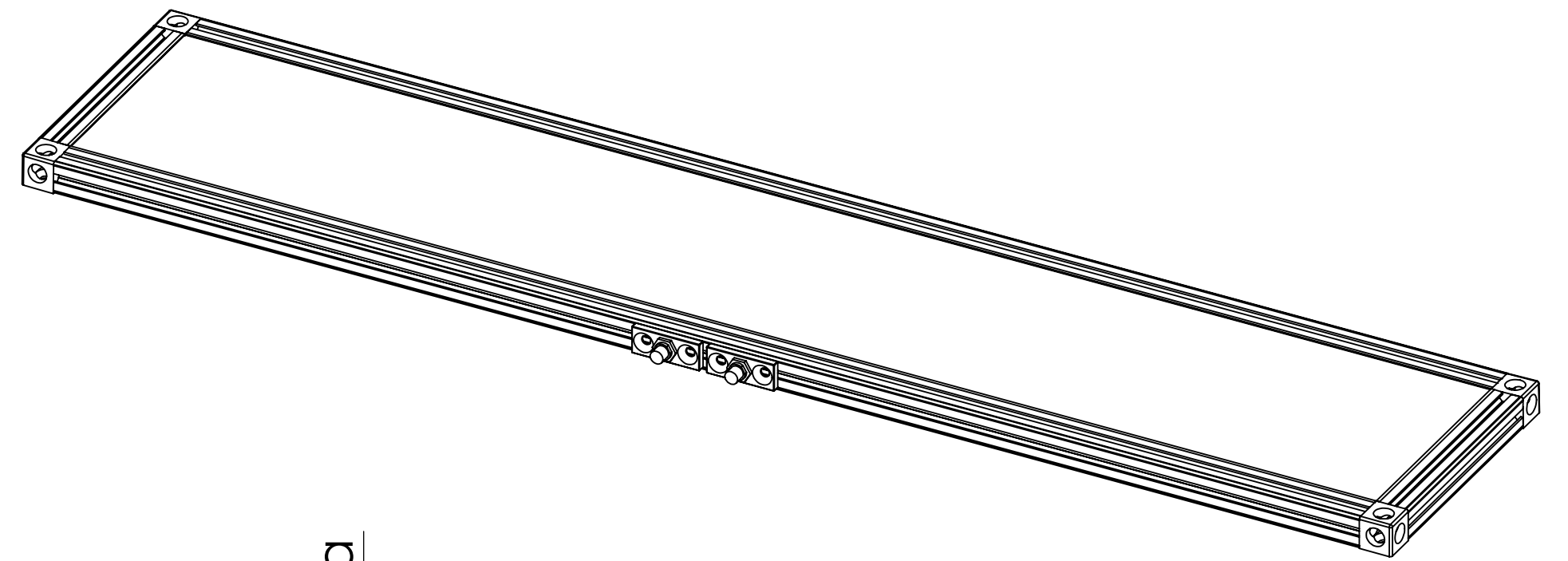
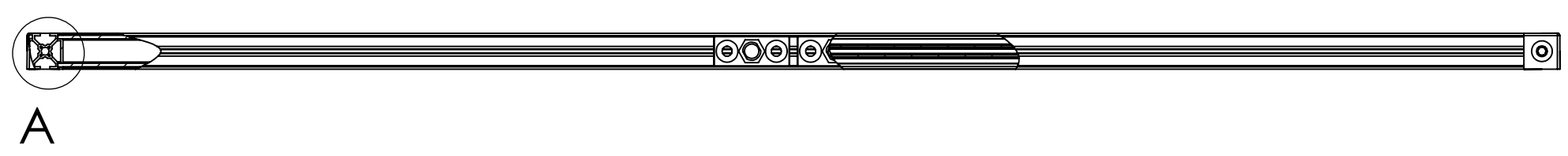
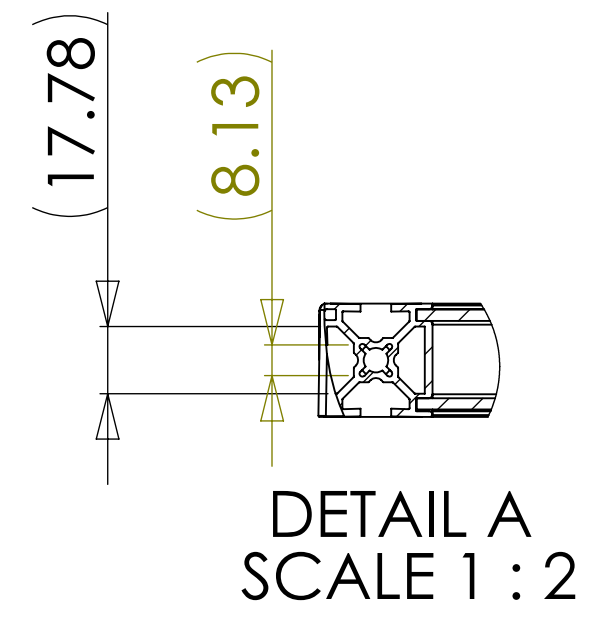


REVISIONS		DATE	APPROVED
2			
1			



typ. \varnothing 9 THRU ALL
 \square \varnothing 17.30 ∇ 24



PROPRIETARY AND CONFIDENTIAL
 THE INFORMATION CONTAINED IN THIS DRAWING IS THE SOLE PROPERTY OF SmartVisionLights. ANY REPRODUCTION IN PART OR AS A WHOLE WITHOUT THE WRITTEN PERMISSION OF SmartVisionLights IS PROHIBITED.

UNLESS OTHERWISE SPECIFIED:		DATE	NAME
DIMENSIONS ARE IN MM		10/15/2010	
TOLERANCES:		DRAWN BY	
FRACTIONAL \pm 1-.44		CHECKED	
ANGULAR: MACH \pm .25° BEND \pm 3°		ENG APPR.	
TWO PLACE DECIMAL \pm .10 mm		MFG APPR.	
THREE PLACE DECIMAL \pm .01 mm		Q.A.	
INTERPRET GEOMETRIC TOLERANCING PER:		COMMENTS:	
MATERIAL			
FINISH			
NEXT ASSY	USED ON		
APPLICATION			

SOBL-1200x200		
SmartVisionLights.Com		
matt@smartvisionlights.com		
SIZE	DWG. Name	REV
B	SOBL-1200x200	
SCALE: 1:5		SHEET 1 OF 1