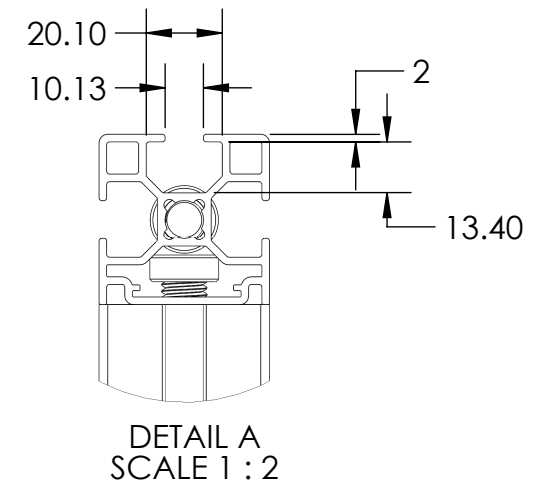
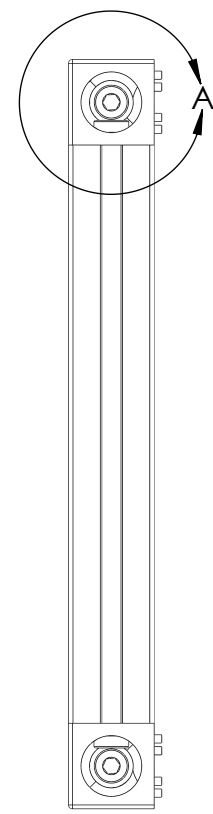
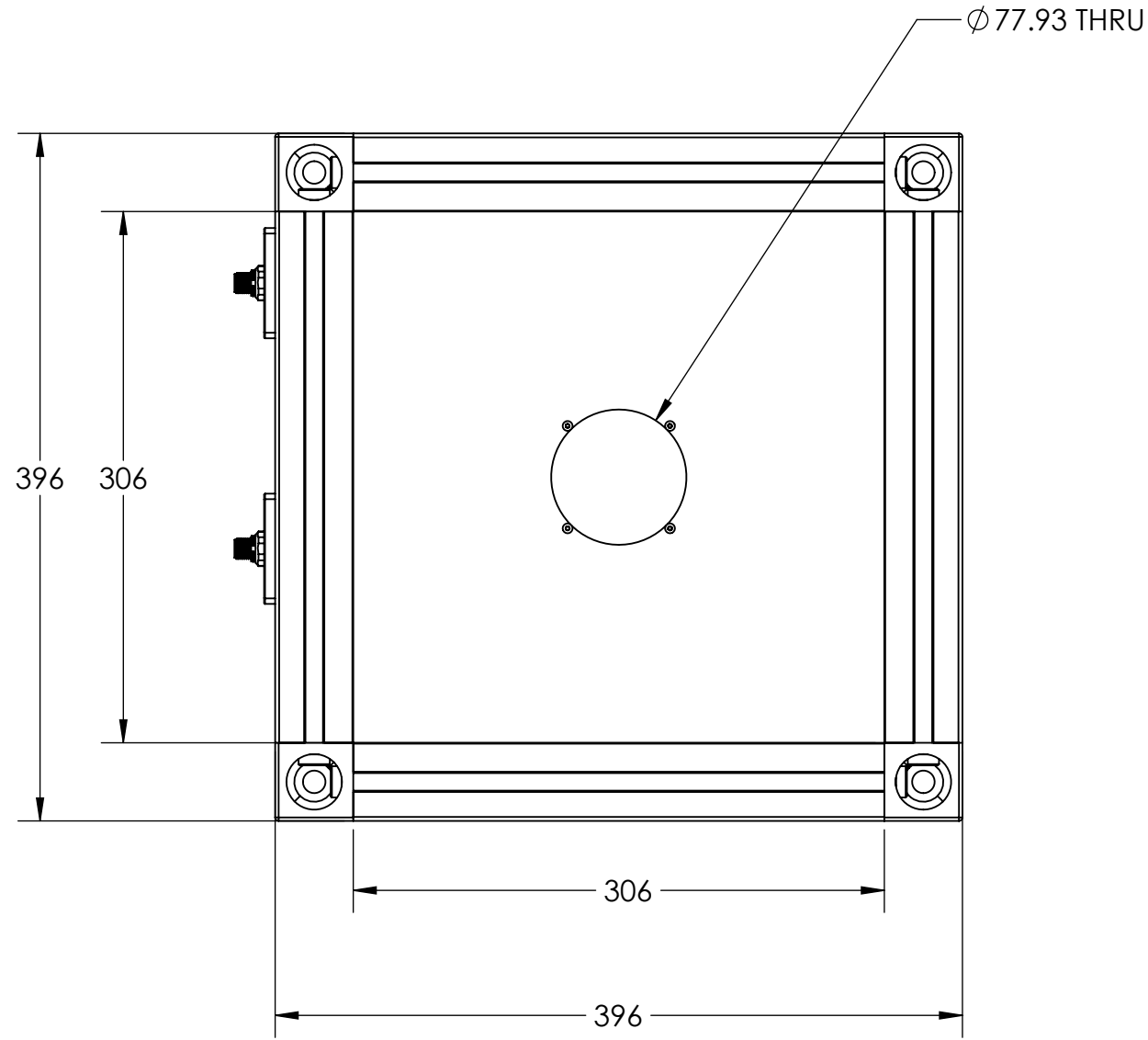
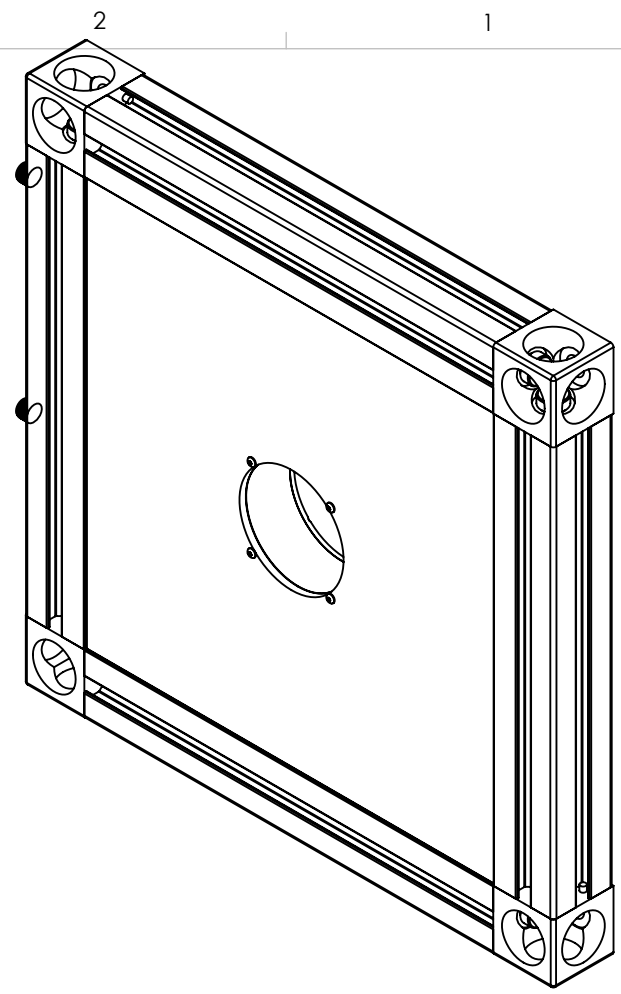
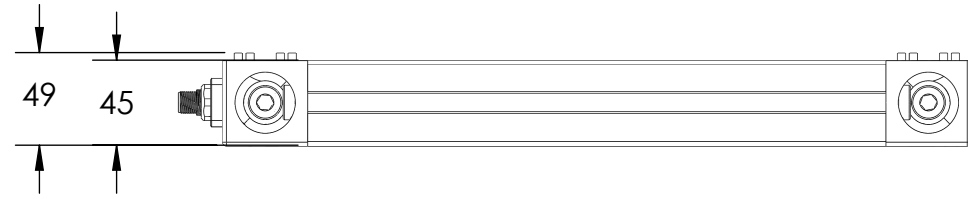


8 7 6 5 4 3 2 1



PROPRIETARY AND CONFIDENTIAL
 THE INFORMATION CONTAINED IN THIS DRAWING IS THE SOLE PROPERTY OF SMART VISION LIGHTS. ANY REPRODUCTION IN PART OR AS A WHOLE WITHOUT THE WRITTEN PERMISSION OF SMART VISION LIGHTS IS PROHIBITED.

		UNLESS OTHERWISE SPECIFIED:		NAME	DATE
		DIMENSIONS ARE IN MM		DRAWN	Dykema 2/26/2014
		TOLERANCES:		CHECKED	
		FRACTIONAL ± 1-64		ENG APPR.	
		ANGULAR: MACH ± .25° BEND ± 3°		MFG APPR.	
		TWO PLACE DECIMAL ± .10mm		Q.A.	
		THREE PLACE DECIMAL ± .01mm		COMMENTS:	
		INTERPRET GEOMETRIC TOLERANCING PER:			
		MATERIAL			
NEXT ASSY	USED ON	FINISH			
APPLICATION		DO NOT SCALE DRAWING			
				TITLE:	
		SIZE	DWG. NO.	REV	
		B	RL300		
		SCALE: 1:4	WEIGHT:	SHEET 1 OF 1	

8 7 6 5 4 3 2 1