

HD High-Definition Camera



Description

DVI Output Color Camera

Features

Connectable to the monitor directly using HDMI connector enables observing system without PC. Enables a display of the crosshair and shadow masks by using the optional remote unit.

Product Line-up			
Model No,	Color	STC-HD203DV	STC-HD203DV-CS
Resolution		High-Definition 1080P	High-Definition 1080P
Frame Rate		60fps	60fps
Effective Pixels		1920 × 1080	1920 × 1080
Sensor Size		1/2.8	1/2.8
Cell Size (HxV, μm)		2.8 × 2.8	2.8 × 2.8
Sensor Type		CMOS	CMOS
Sensor		IMX136	IMX136
Lens Mount		C	CS
General Specifications		Case	Case

*HD High-Definition Camera Series are scheduled to be released in December.

Accessories

CS-to-C-Mount Conversion Adapter		
Model No,	Applicable Model	General Specification
CS-C-R	CS Mount Camera	

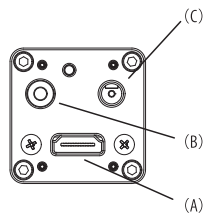
Remote Control Unit		
Model No,	Applicable Model	General Specification
RC-HD133	All DVI/SDI Camera	ø3.5 stereo pin jack

*RC-HD133 are scheduled to be released in December.

External Connector Specification

External Link Connectors

HDMI connector: DVI 1.0 compliant, power supply: MP-121C (Marushin Musen Denki) equivalent, communications: ø3.5 stereo pin jack



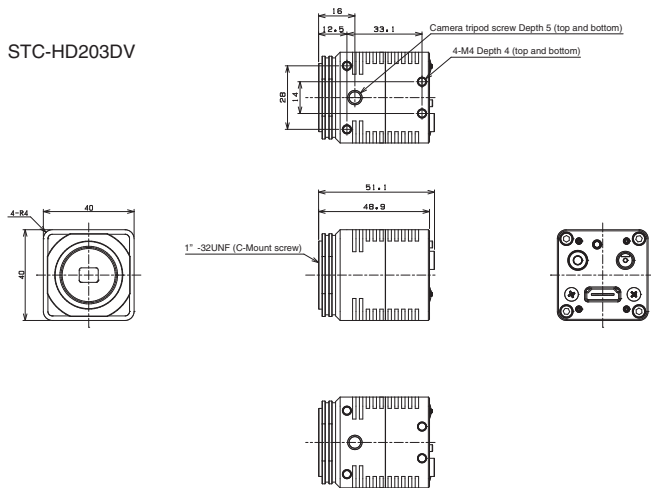
(A) HDMI connector
The output is DVI1.0 compliant.

(B) ø3.5 stereo pin jack for remote
switch the connector for the configuration of
various camera functions.

(C) Power supply connector
Compatible plug
Marushin Musen Denki MP-121 or equivalent

Drawing dimension

STC-HD203DV



STC-HD203DV-CS

