



## NIGHT VISION CLIP-ON SYSTEM

# FLIR CO-X<sup>®</sup>

The FLIR CO-X is an advanced night vision clip-on systems for mid-range night shooting. The CO-X converts your day scope into a night vision device and provides excellent acquisition capabilities for the demanding hunter, sports shooter, or security personnel. The CO-X system eliminates the requirement of removing your day scope from your rifle and replacing it with a dedicated night vision sight. The CO-X simply mounts in front of your existing day scope, with no re-zeroing required.

[www.flir.com](http://www.flir.com)



### INTEGRATION WITH DAY SCOPE

The CO-X is designed to mount in front of an existing day scope and extends the useful period of operation from daylight into nighttime.

- Quick conversion of daytime scope to night vision with no set-up changes
- Recommended for use with day scopes of up to 6X magnification
- IR850-XLR detachable long range infrared illuminator included



### COMPACT, POWERFUL

Light and compact device with perfect balance of size and performance.

- Fast catadioptric front lens system
- Manual gain control
- Wireless remote control
- Powered by a single CR123A Lithium or AA battery



### FLEXIBLE MOUNTING OPTIONS

The CO-X can be mounted in seconds without tools. It can be attached in front of a day riflescope using its quick-release mount or directly onto the day scope objective lens with the optional adapter.

- Quick-release Picatinny mount that allows for highly accurate rail positioning
- Mounts on the lenses of specified day scopes with the optional adapters

## SPECIFICATIONS

| General                             |  | CO-X |
|-------------------------------------|--|------|
| Image intensifier tube              | GEN 2+ or GEN 3  |      |
| Magnification                       | Unity (1x)   |      |
| Lens system                         | 80mm, F/1.44   |      |
| FOV                                 | 12°  |      |
| Focus range                         | 10m to infinity  |      |
| Exit pupil                          | 21 mm  |      |
| User Interface                      |  |      |
| Operation switch                    | On/ Off/ Standby Mode  |      |
| Remote control button               | Activates/deactivates the clip-on in standby mode  |      |
| Focus knob                          | Focuses the objective lens   |      |
| Battery indicator                   | Indicates low battery in the FOV   |      |
| System Specifications               |  |      |
| Boresight characteristics:          | Factory aligned to ½ MOA or better   |      |
| - Accuracy                          | Permanent to within 1 MOA or better  |      |
| - Retention                         | Within ½ MOA   |      |
| - Repeatability                     |  |      |
| Manual gain control                 | Yes  |      |
| Bright light cut-off                | Yes  |      |
| Automatic shut-off system           | Yes  |      |
| Low battery indicator               | Yes  |      |
| Infrared illuminator                | IR850-XLR Detachable Extra Long Range IR Illuminator   |      |
| Remote control                      | Wireless   |      |
| Power                               |  |      |
| Battery type                        | CR123 Lithium 3V (1), or AA Alkaline 1.5V (1), or any AA or CR123 type rechargeable batteries with voltage from 1.2V to 3.2V (1) |      |
| Battery life (operating)            | Up to 60 hrs at 20°C   |      |
| Environmental                       |  |      |
| Operating temperature range         | -40°C to +50°C (-40°F to +122°F)   |      |
| Storage temperature range           | -50°C to +50°C (-58°F to +122°F)   |      |
| Physical                            |  |      |
| Weight                              | 0.76 kg (1.7 lbs)  |      |
| Overall dimensions                  | 150 × 100 × 83 mm (5,9 × 3,9 × 3,3 in)   |      |
| Dimensions without lens caps        | 143 × 100 × 83 mm (5,6 × 3,9 × 3,3 in)   |      |
| Weapon mount type                   | Picatinny, MIL-STD-1913, or Weaver rails   |      |
| Height of the scope axis above rail | 37,8 mm (1.5 in)   |      |
| Color (housing)                     | Black  |      |

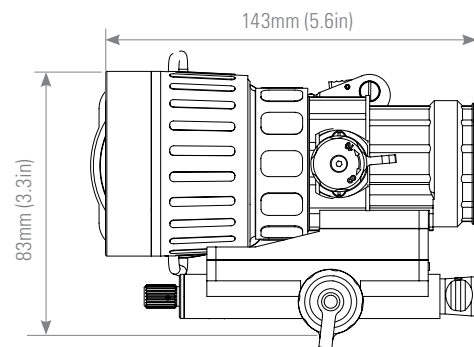
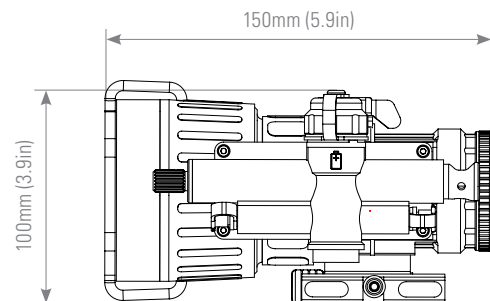
Specifications are subject to change without notice.  
For the most up-to-date specs, go to [www.flir.com](http://www.flir.com)

## Package Includes

Night Vision Clip-On System, Lens Cap, Light Suppressor, Special Wrench, Battery Adapter, IR850-XLR Long Range IR Illuminator, Wireless Remote Control with Picatinny Adapter, Weaver Mount #60, Operation and Maintenance Manual, Soft Carrying Case, Lens Cloth

## Optional Accessories

ANAM000009 – Mounting System #1  
for Daytime Optics with 25.4-30 mm Objective Diameter  
ANAM000010 – Mounting System #2  
for Daytime Optics with 38-42 mm Objective Diameter  
ANAM000011 – Mounting System #3  
for Daytime Optics with 46.7-50 mm Objective Diameter  
ANAM000012 – Mounting System #4  
for Daytime Optics with 56-58.7 mm Objective Diameter  
ANAM000013 – Mounting System #6  
for Daytime Optics with 62 mm Objective Diameter  
ANAM000031 – Weaver Mount #60 replaces QRM to weaver base for IR Illuminator  
ANAM000045 – Extended Rail Adapter #85 - Dovetail Weaver Picatinny Rail Adapter (extends scope base)  
ANH000004 – Hard Shipping/ Storage Case #102  
ANAF18XXLR – IR850XLR Afocal Doubler - Enhances performance of IR850-XLR



### FLIR OUTDOOR & TACTICAL SYSTEMS

9 Townsend West,  
Nashua, NH 03063

Phone: 1-888-959-2259  
or (603) 324-7600  
Fax: 1-888-959-2260

### FLIR PRODUCT REPAIR CENTER

email: [US\\_CBUrepair@flir.com](mailto:US_CBUrepair@flir.com)  
Register on: [customer.flir.com](http://customer.flir.com)

### ORDER PLACEMENT, RETURN TO STOCK & INQUIRIES

email: [OTS-Orders@flir.com](mailto:OTS-Orders@flir.com)

### PRODUCT REGISTRATION

[flir.com/support-center/support-hq/](http://flir.com/support-center/support-hq/)

### TECHNICAL SUPPORT

email: [US\\_CBUsupport@flir.com](mailto:US_CBUsupport@flir.com)

[www.flir.com](http://www.flir.com)  
NASDAQ: FLIR

Equipment described herein may require US Government authorization for export purposes. Diversion contrary to US law is prohibited. Imagery for illustration purposes only. Specifications are subject to change without notice, check our website: [www.flir.com](http://www.flir.com)  
©2018 FLIR Systems, Inc. All rights reserved.  
Updated 11/22/2018

18-2279-OTS



The World's Sixth Sense™