

Part number:

63901-0101

Copyright

© 2013, FLIR Systems, Inc.

All rights reserved worldwide. Names and marks appearing herein are either registered trademarks or trademarks of FLIR Systems and/or its subsidiaries. All other trademarks, trade names or company names referenced herein are used for identification only and are the property of their respective owners.

October 11, 2013, 03:08 AM

Corporate Headquarters

FLIR Systems, Inc.
27700 SW Parkway Ave.
Wilsonville, OR 97070
USA
Telephone: +1-503-498-3547

Website

<http://www.flir.com>

Customer support

<http://support.flir.com>

Legal disclaimer

Specifications subject to change without further notice. Camera models and accessories subject to regional market considerations. License procedures may apply.

Information and equipment described herein may require US Government authorization for export purposes. Diversion contrary to US law is prohibited.



Imaging and optical data

| | |
|---------------------------|----------------------------|
| IR resolution | 80 × 60 pixels |
| MSX resolution | 320 × 240 pixels |
| Thermal sensitivity/NETD | <0.15°C (0.27°F) / <150 mK |
| Field of view (FOV) | 45° × 34° |
| Minimum focus distance | 0.5 m (1.6 ft.) |
| Spatial resolution (IFOV) | 10.3 mrad |
| Image frequency | 9 Hz |
| Focus | Focus free |

Detector data

| | |
|----------------|--|
| Detector type | Focal plane array (FPA), uncooled microbolometer |
| Spectral range | 7.5–13 μm |

Image presentation

| | |
|------------------|-----------------------------|
| Display | 3.0 in. 320 x 240 color LCD |
| Image adjustment | Automatic adjust/lock image |

Image presentation modes

| | |
|--------------------------------------|--|
| Image modes | IR image, visual image, MSX, thumbnail gallery |
| Multi Spectral Dynamic Imaging (MSX) | IR image with enhanced detail presentation |

Measurement

| | |
|--------------------------|---|
| Object temperature range | -20°C to +250°C (-4°F to +482°F) |
| Accuracy | ±2°C (±3.6°F) or ±2% of reading, for ambient temperature 10°C to 35°C (+50°F to 95°F) and object temperature above +0°C (+32°F) |

Measurement analysis

| | |
|---|--|
| Spotmeter | Center spot |
| Emissivity correction | Variable from 0.1 to 1.0 |
| Emissivity table | Emissivity table of predefined materials |
| Reflected apparent temperature correction | Automatic, based on input of reflected temperature |

P/N: 63901-0101

© 2013, FLIR Systems, Inc.
All rights reserved worldwide.

Set-up

| | |
|-----------------|--|
| Color palettes | Black and white, iron and rainbow |
| Set-up commands | Local adaptation of units, language, date and time formats |

Storage of images

| | |
|------------------------|--|
| Image storage capacity | Internal memory store at least 500 sets of images |
| Image storage mode | Simultaneous storage of images in IR, visual and MSX |
| File formats | Standard JPEG, 14-bit measurement data included |

Data communication interfaces

| | |
|------------|--|
| Interfaces | USB Micro: Data transfer to and from PC and Mac device |
|------------|--|

Power system

| | |
|------------------------|--|
| Battery type | Rechargeable Li Ion battery |
| Battery voltage | 3.7 V |
| Battery operating time | Approx. 4 hours at +25°C (+77°F) ambient temperature and typical use |
| Charging system | Battery is charged inside the camera or in specific charger. |
| Charging time | 2.5 hours to 90% capacity in camera. 2 hours in charger. |
| Power management | Automatic shut-down |
| AC operation | AC adapter, 90–260 VAC input, 5 VDC output to camera |

Environmental data

| | |
|----------------------------------|--|
| Operating temperature range | –15°C to +50°C (+5°F to +122°F) |
| Storage temperature range | –40°C to +70°C (–40°F to +158°F) |
| Humidity (operating and storage) | IEC 60068-2-30/24 h 95% relative humidity |
| EMC | <ul style="list-style-type: none"> • WEEE 2012/19/EC • RoHs 2011/65/EC • C-Tick • EN 61000-6-3 • EN 61000-6-2 • FCC 47 CFR Part 15 Class B |
| Encapsulation | IP 54 (IEC 60529) |
| Bump | 25 g (IEC 60068-2-29) |
| Vibration | 2 g (IEC 60068-2-6) |
| Drop | 2 m (6.6 ft.) |

Physical data

| | |
|------------------------------|---|
| Camera weight, incl. battery | 0.575 kg (1.27 lb.) |
| Camera size (L × W × H) | 244 × 95 × 140 mm (9.6 × 3.7 × 5.5 in.) |
| Color | Black and gray |

Certifications

| | |
|---------------|--------------------------|
| Certification | UL, CSA, CE, PSE and CCC |
|---------------|--------------------------|

Shipping information

| | |
|-------------------|---|
| Packaging, type | Hard case |
| | <ul style="list-style-type: none"> • Infrared camera • Hard transport case • Battery (inside camera) • USB cable • Power supply/charger with EU, UK, US and Australian plugs • User documentation CD-ROM • Printed documentation • FLIR Tools download card |
| Packaging, weight | 2.7 kg (5.95 lb.) |



FLIR E4

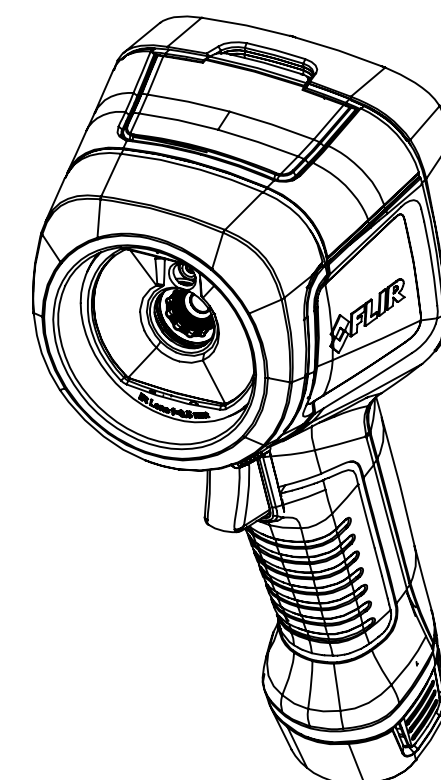
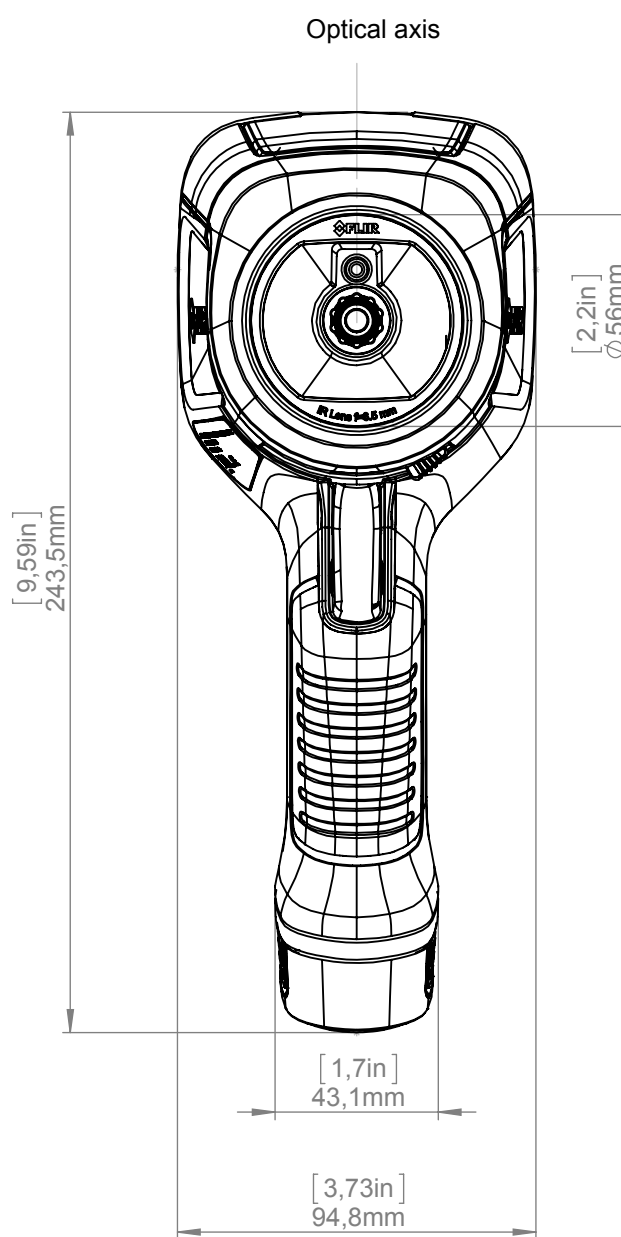
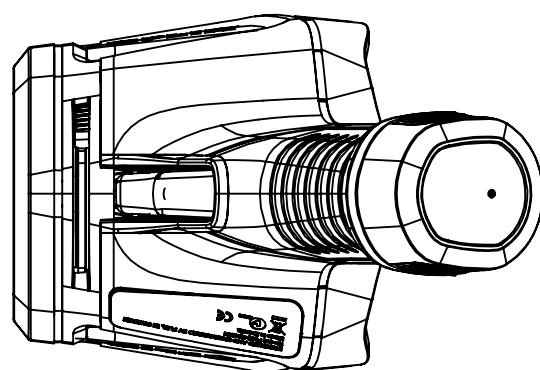
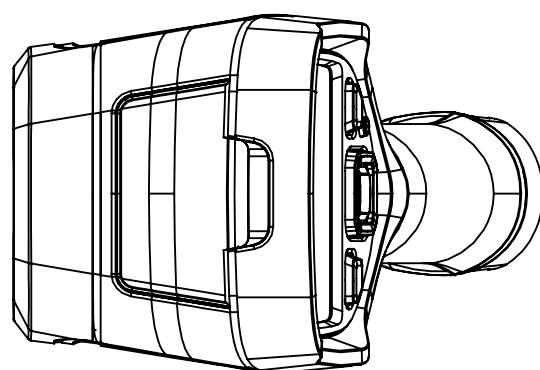
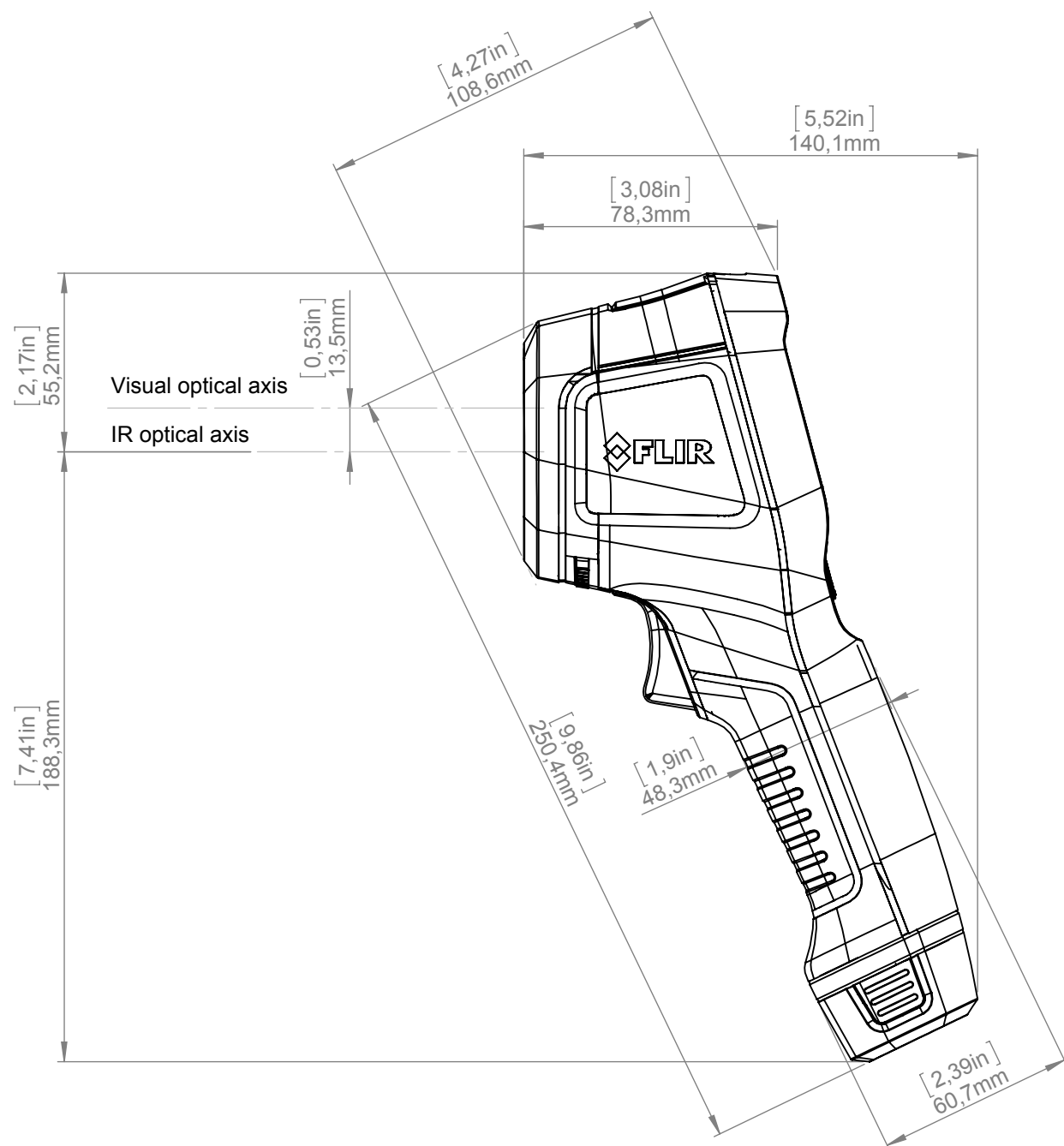
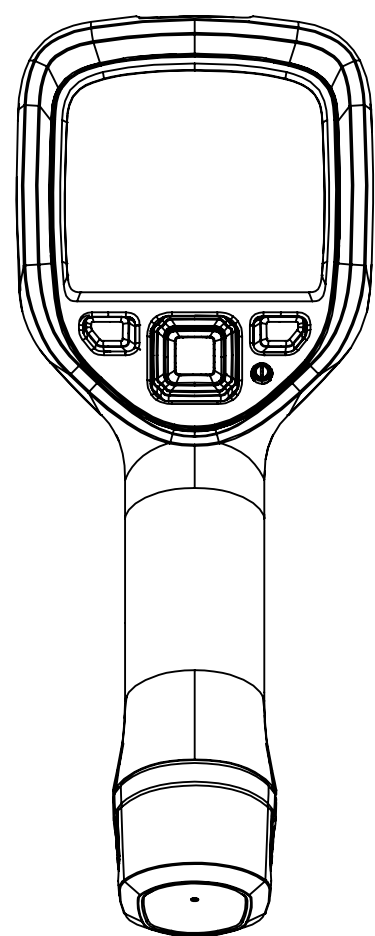
P/N: 63901-0101

© 2013, FLIR Systems, Inc.
All rights reserved worldwide.

Shipping information

| | |
|-------------------|---|
| Packaging, size | 303 x 206 x 128 mm (11.9 x 8.1 x 5.0 in.) |
| EAN-13 | 4743254000995 |
| UPC-12 | 845188004941 |
| Country of origin | Estonia |

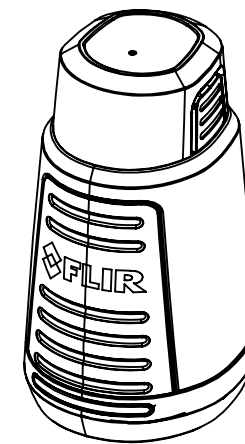
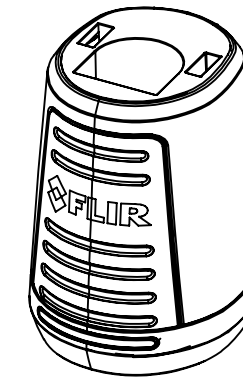
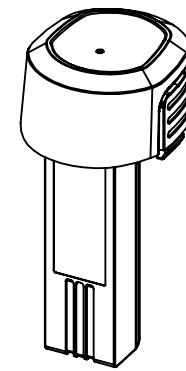
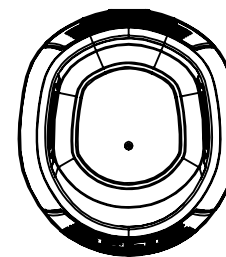
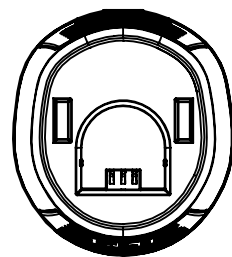
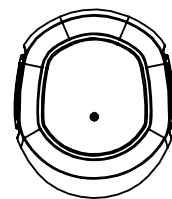
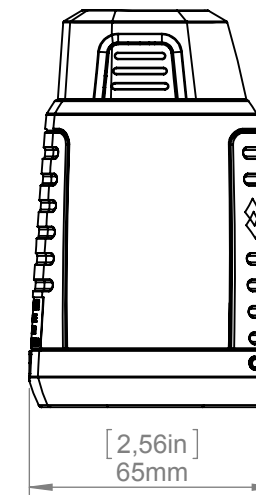
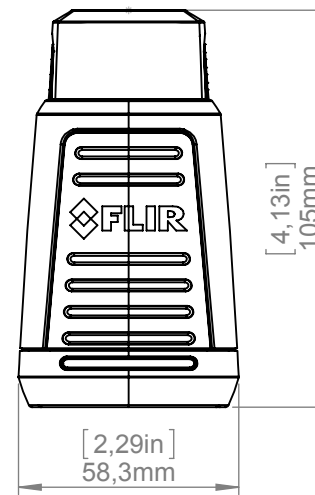
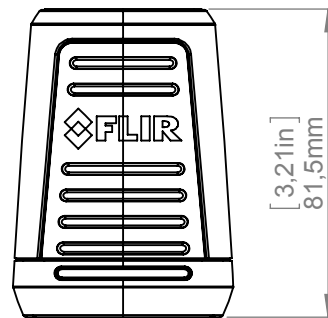
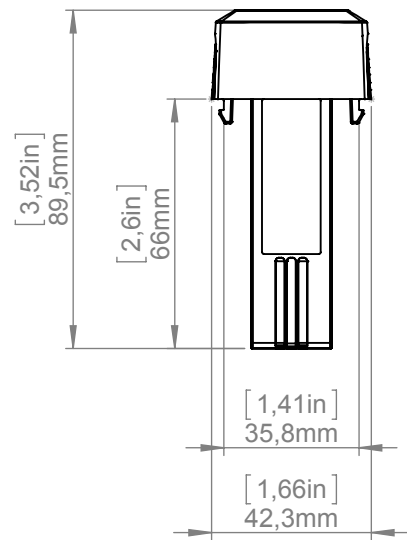
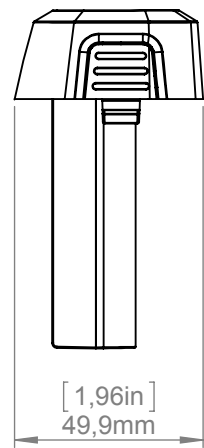
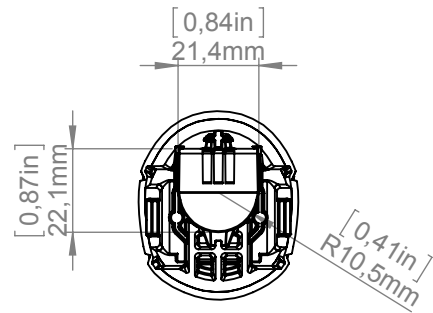
Camera with built-in IR lens f=6,5 mm (45°)



© 2012, FLIR Systems, Inc. All rights reserved worldwide. No part of this drawing may be reproduced, stored in a retrieval system, or transmitted in any form, or by any means, electronic, mechanical, photocopying, recording, or otherwise, without the prior written permission of FLIR Systems, Inc. Specifications subject to change without notice. Dimensions are based on nominal values. Products may be subject to regional market considerations. License procedures may apply. Product may be subject to US Export Regulations. Please refer to exportquestions@flir.com with any questions. Diversion contrary to US law is prohibited.

| | | | |
|--------------------------|---------------|------------------------------|--|
| Modified 2013-03-25 | Check CAHA | Drawn by R&D Thermography | |
| Denomination | | | |
| Basic dimensions FLIR Ex | | | Size A2 Scale 1:2 Drawing No. T127831 |
| | | | Sheet 1(2) Size A |

Charger and Power pack



| | | | |
|--------------------------|---------------|------------------------------|--|
| Modified 2013-03-25 | Check CAHA | Drawn by R&D Thermography | |
| Denomination | | | |
| Basic dimensions FLIR Ex | | | |

© 2012 FLIR Systems, Inc. All rights reserved worldwide. No part of this drawing may be reproduced, stored in a retrieval system, or transmitted in any form, or by any means, electronic, mechanical, photocopying, recording, or otherwise without written permission from FLIR Systems, Inc. Specifications subject to change without further notice. Dimensional data is based on nominal values. Products may be subject to regional market considerations. License procedures may apply. Product may be subject to US Export Regulations. Please refer to exportquestions@flir.com with any questions. Diversion contrary to US law is prohibited.